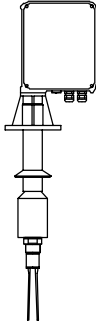


## Table of contents

---

	page
-----	
Dimensions	P2
Selection/ Options	P3
Electrical installation	P4



Subject to technical and price change.

All dimensions in mm (inches).

All prices are EXW Betzigau, excl. packaging costs and VAT.

Prices are valid from 01.04.2015 until 31.03.2016 unless otherwise agreed.

By publishing this selection list all other lists become invalid.

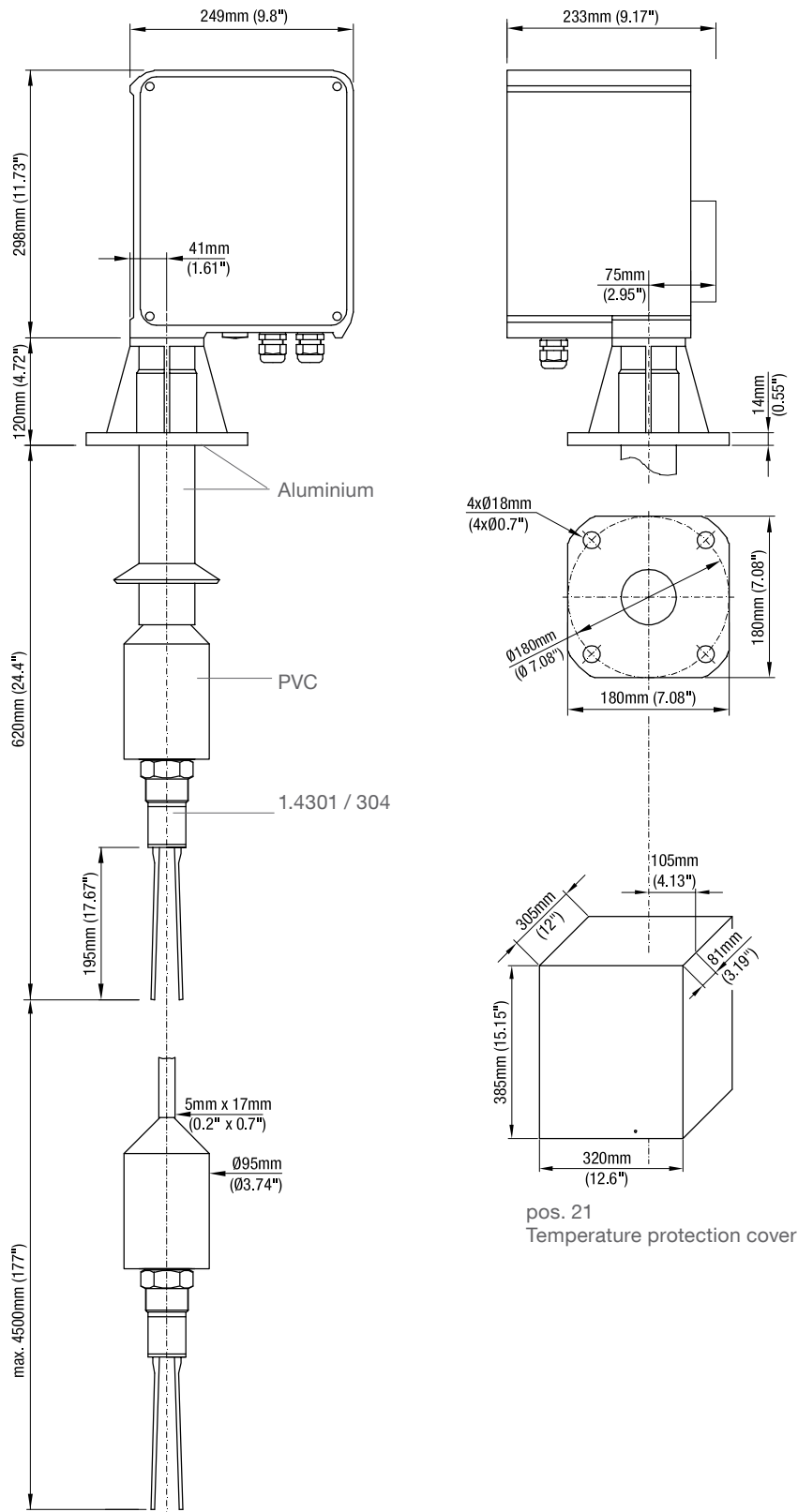
Different variations to those specified are possible. Please contact our technical consultants.

We assume no liability for typing errors.

## Dimensions

### Height adjustable level limit switch

- minimal maintenance
- robust design
- light weight
- compact construction



## Selection / Options

### Basic unit FN6

•

Ambient temperature: 0 .. 60°C

pos. 2	<b>Sensitivity of vibration fork</b>		
	A 5g/l .....		•
	B 20g/l .....		•
pos. 5	<b>Power supply</b>		
	A 230V AC .....		•
	B 115V AC .....		•
pos. 6	<b>Signal output for vibration fork position</b>		
	1 Incremental encoder .....		•
	2 Analogue 4-20mA encoder .....		•

### Options

pos. 11	x	<b>Warranty extension to 5 years</b> .....	•
pos. 21		<b>Temperature protection cover</b> ..... on request for ambient temperature up to -20°C	
pos. 22		<b>Mounting set ø18 (for opposite flange with hole ø18)</b> ..... 4 screws M16x60 A2 4 nuts M16 A2 4 washers A2 1 sealing max. 125°C	•
pos. 23		<b>Mounting set M16 (for opposite flange with thread M16)</b> ..... 4 screws M16x30 A2 4 washers A2 1 sealing max. 125°C	•
pos. 24		<b>Cable entry</b>	
	A	3x conduit connection NPT ½" tapered ANSI B1.20.1 .....	•
	B	3x conduit connection NPT ¾" tapered ANSI B1.20.1 .....	•
pos. 25		<b>Pressure connection</b> ..... (quick coupling including counter part for internal hose diameter 9mm)	•

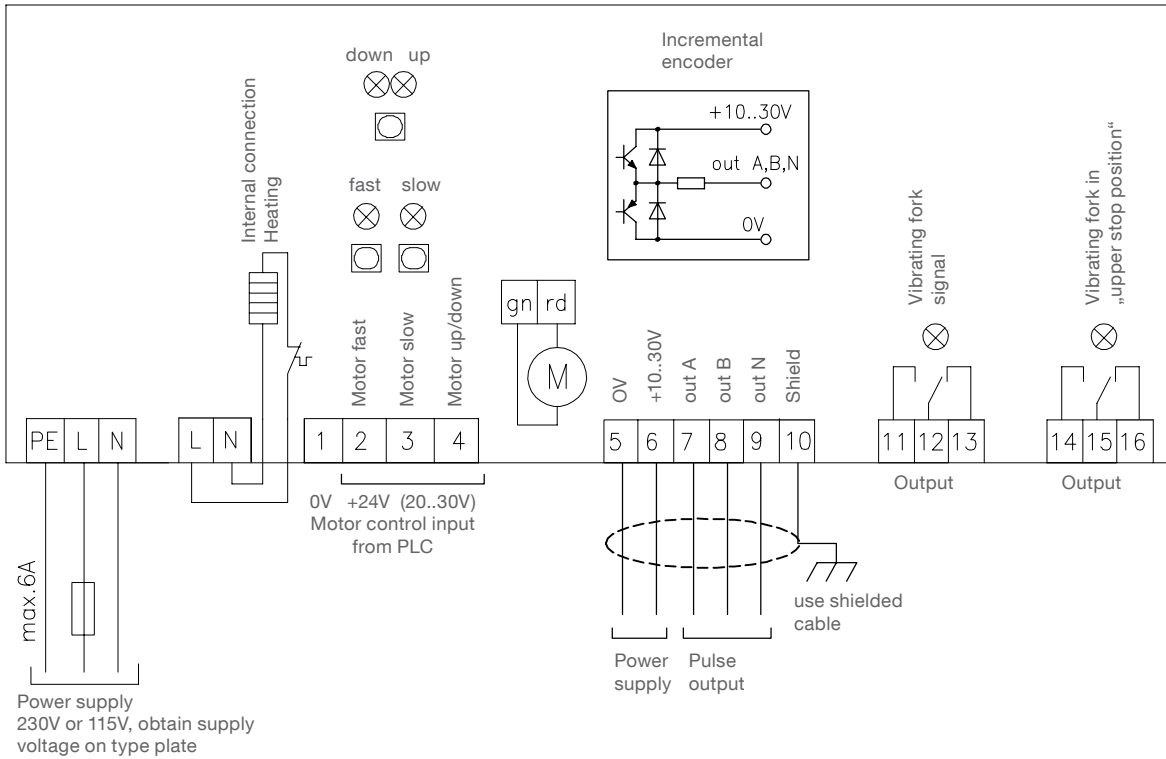
FN 6	A		1	1			A	1	A	A
Position	1	2	3	4	5	6	7	8	9	10

← Order code

Other versions on request

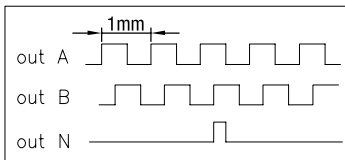
## Electrical connection / Switching logic

### Incremental encoder



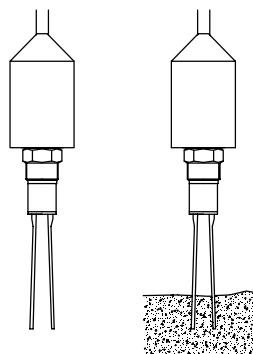
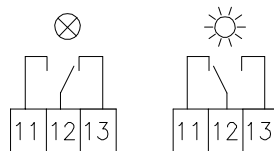
#### Pulse output diagram:

Shown when sensor moves upwards

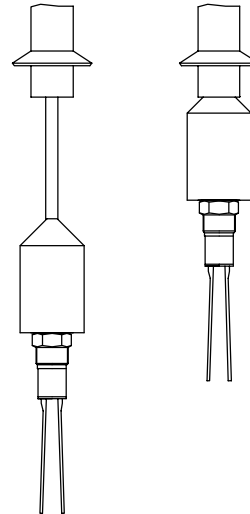
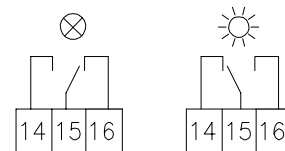


When rotation of the incremental encoder changes direction the signal of A and B is inverted.

#### Switching logic: Vibrating fork signal

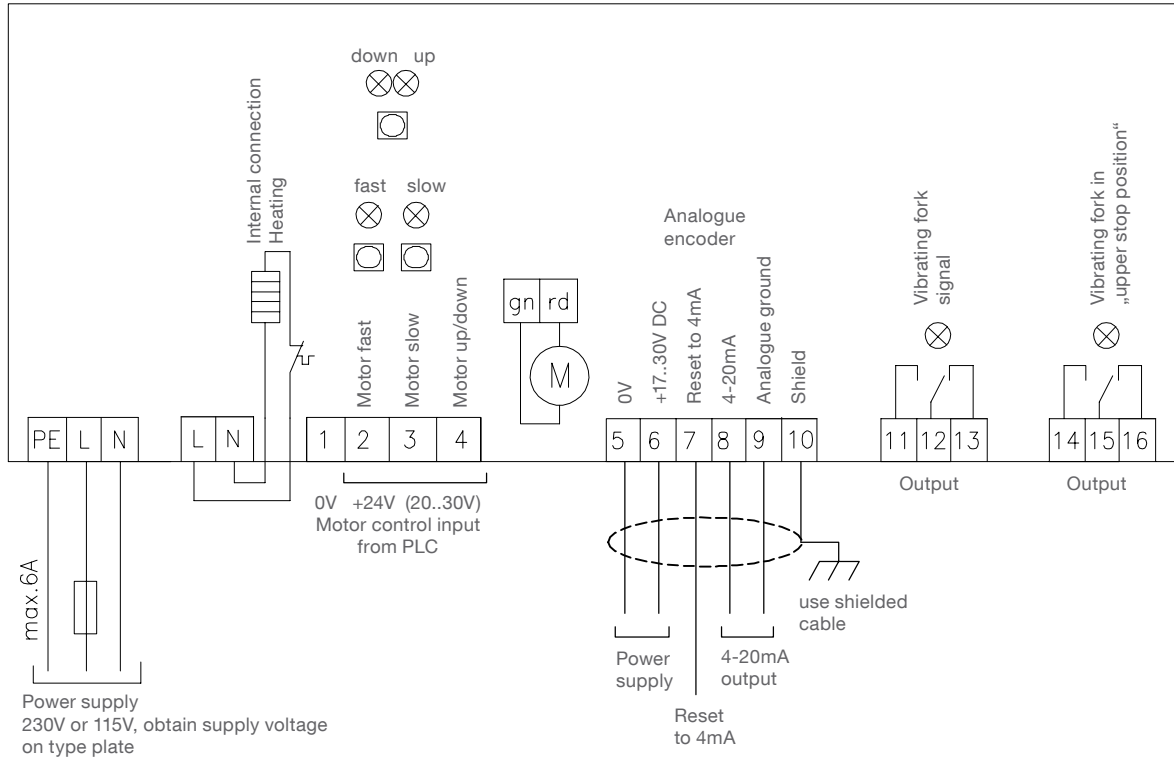


#### Switching logic: Vibrating fork in „upper stop position“

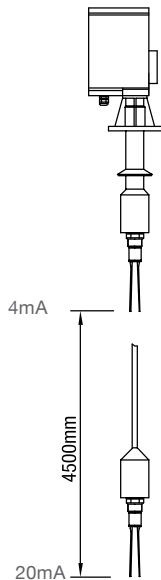


## Electrical connection / Switching logic

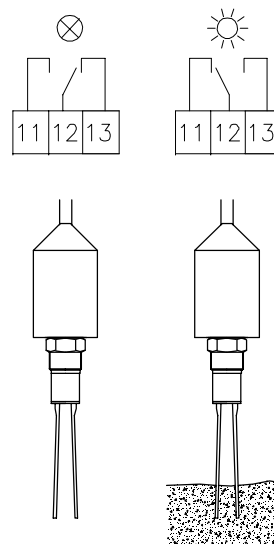
### Analogue 4-20mA encoder



4-20mA output



Switching logic:  
Vibrating fork signal



Switching logic:  
Vibrating fork in „upper stop position“

